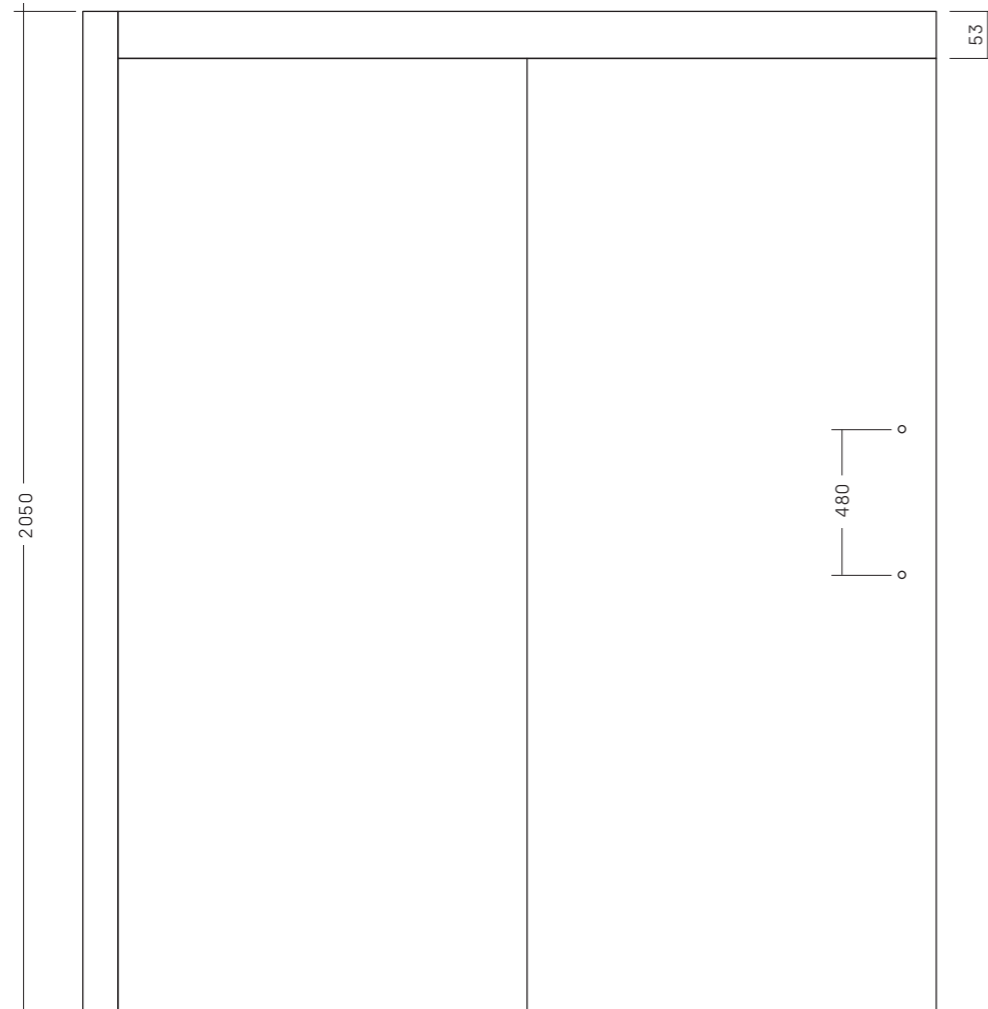


# SPACE • FRONT VIEW

8 mm Th.

• **STANDARD SPACE** [measurements are in mm]

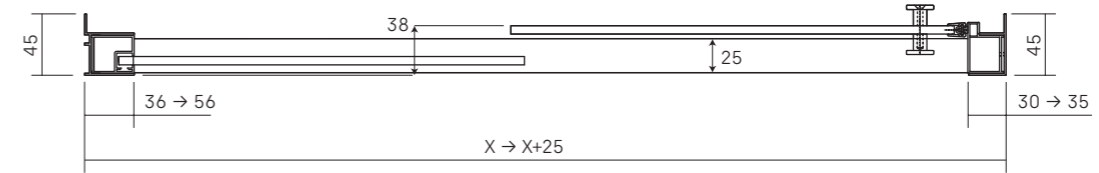


**!**  
 FOR SHOWER ENCLOSURES  
 AT CEILING HEIGHT (MAX 220 cm)  
 YOU MUST LEAVE A  
 SPACE OF AT LEAST 12 cm.

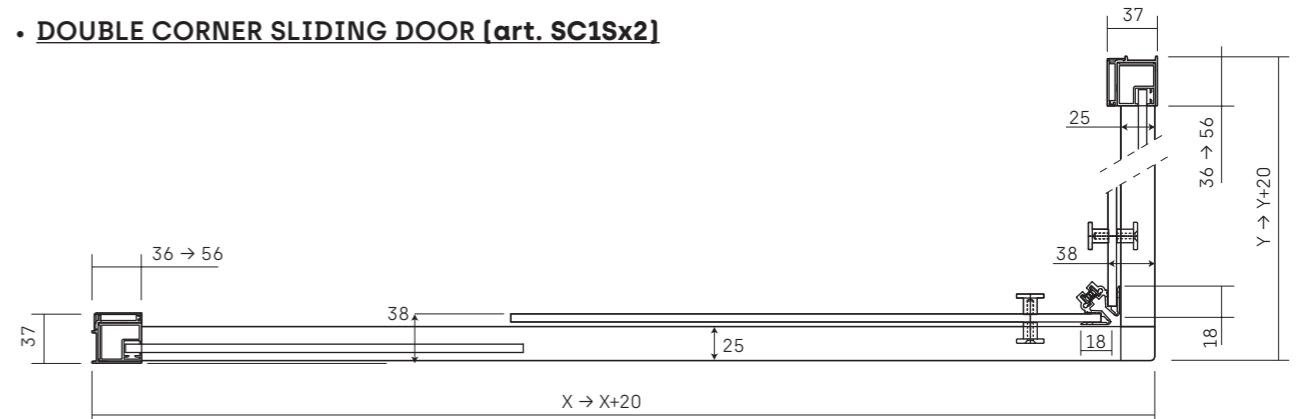
# SPACE • TOP VIEW

8 mm Th.

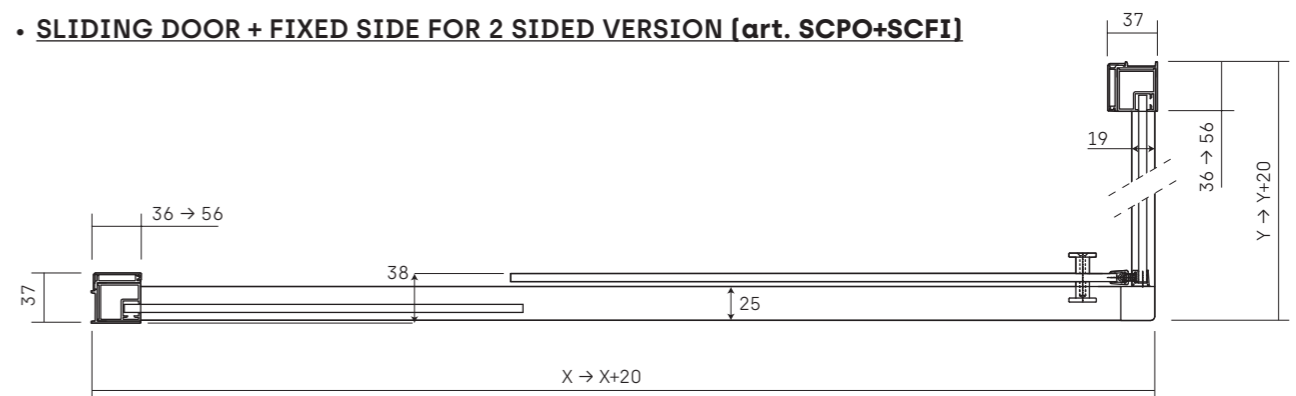
• **SLIDING DOOR FOR RECESS** [art. SCNI]



• **DOUBLE CORNER SLIDING DOOR** [art. SC1Sx2]



• **SLIDING DOOR + FIXED SIDE FOR 2 SIDED VERSION** [art. SCPO+SCFI]



• **SLIDING DOOR ON WALL + FIXED SIDE FOR 2 SIDED VERSION** [art. SCPM+SCFX]

